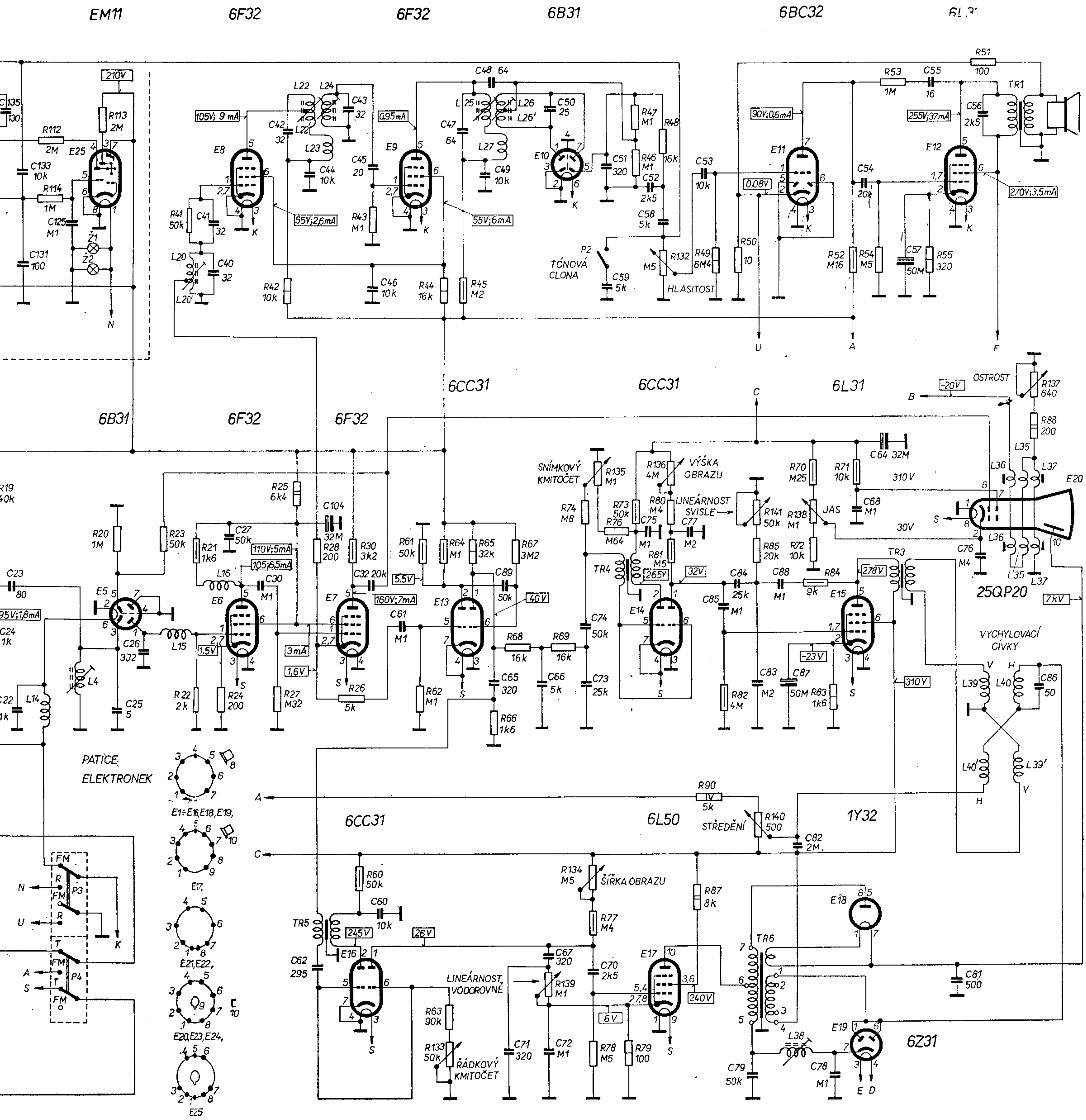
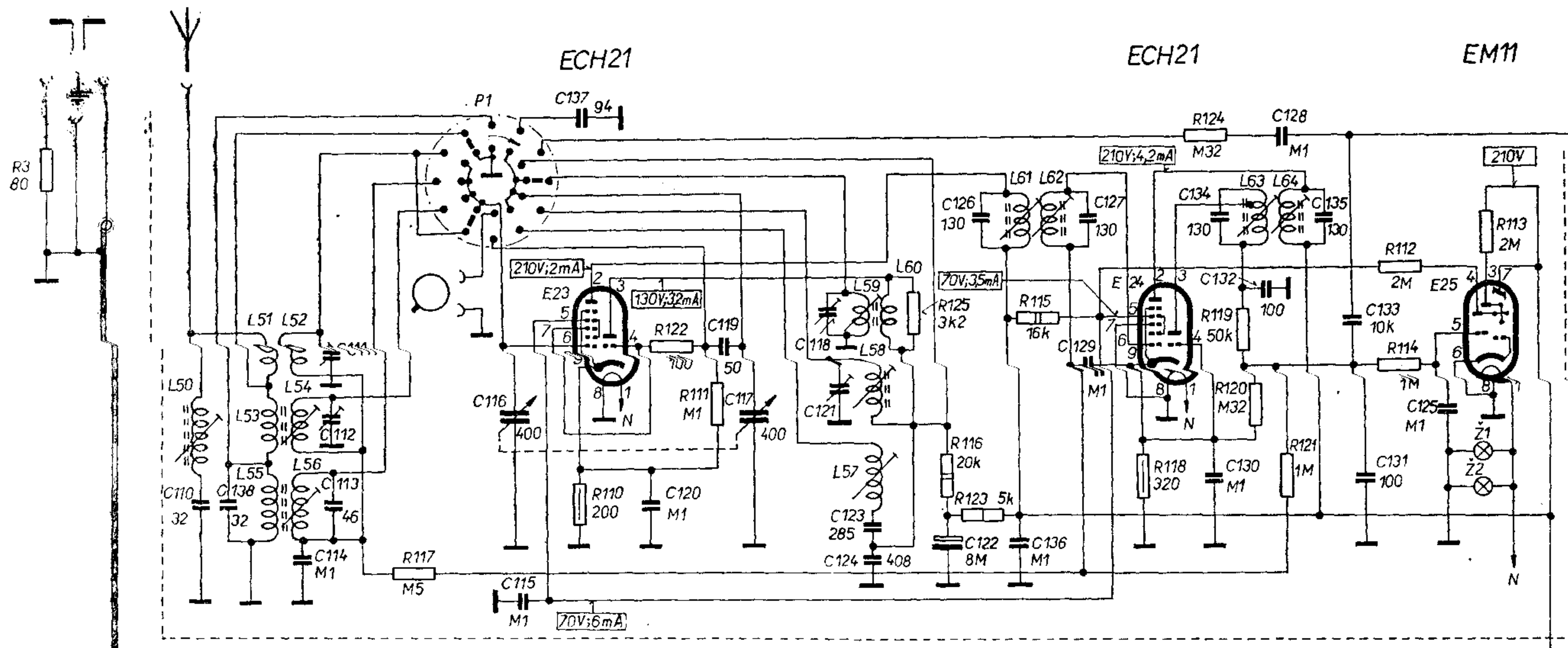


112, 114,	113,	1,	42,	43,	44, 45,	47, 48, 132,	49, 50,	52, 54, 53,	55,	51,					
19,	20,	23,	21, 22, 24,	27, 25, 28,	30, 60, 26,	61, 62,	64, 63, 133, 65, 66, 67, 68,	139,	69, 74, 134, 77, 78, 135, 76, 79, 73, 136, 80, 81, 87, 90,	82, 141, 85, 140,	70, 138, 72, 84, 83, 71,	137, 88,			
135, 133, 131,	125,	41, 40,	42, 44,	43, 45, 46,	47, 49, 48,	50,	51, 59,	52, 58,	53,	54,	57, 55,	56,			
23, 22,	25, 26,	27, 30,	62,	32, 60,	61,	65, 89, 71,	66, 67, 72,	74, 73, 70,	75,	77,	85, 84, 79,	83, 88, 87, 82,	78, 68, 64,	81, 76,	86,
14,	4,	15, 20, 20', 16,	22, 22', 24, 23,	25, 26, 26', 27,	25, 26, 26', 27,	38,	39, 40', 36, 35, 40, 39', 37,								

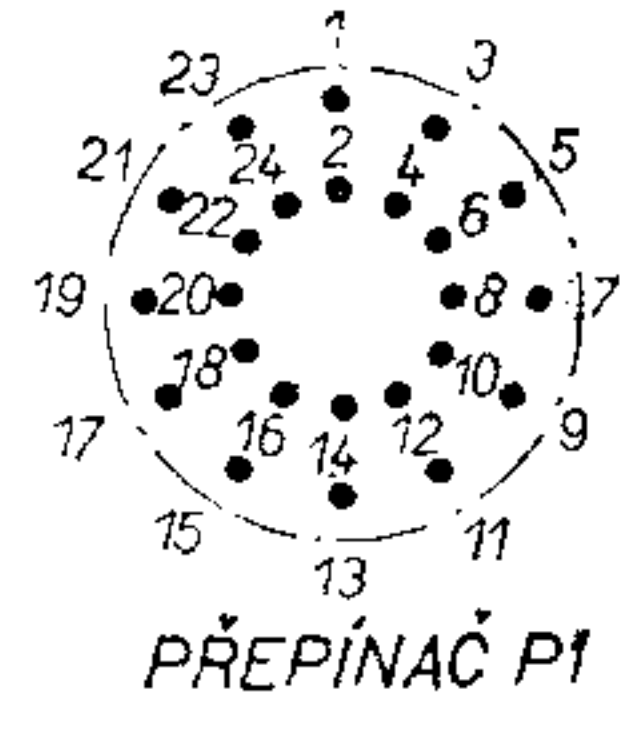
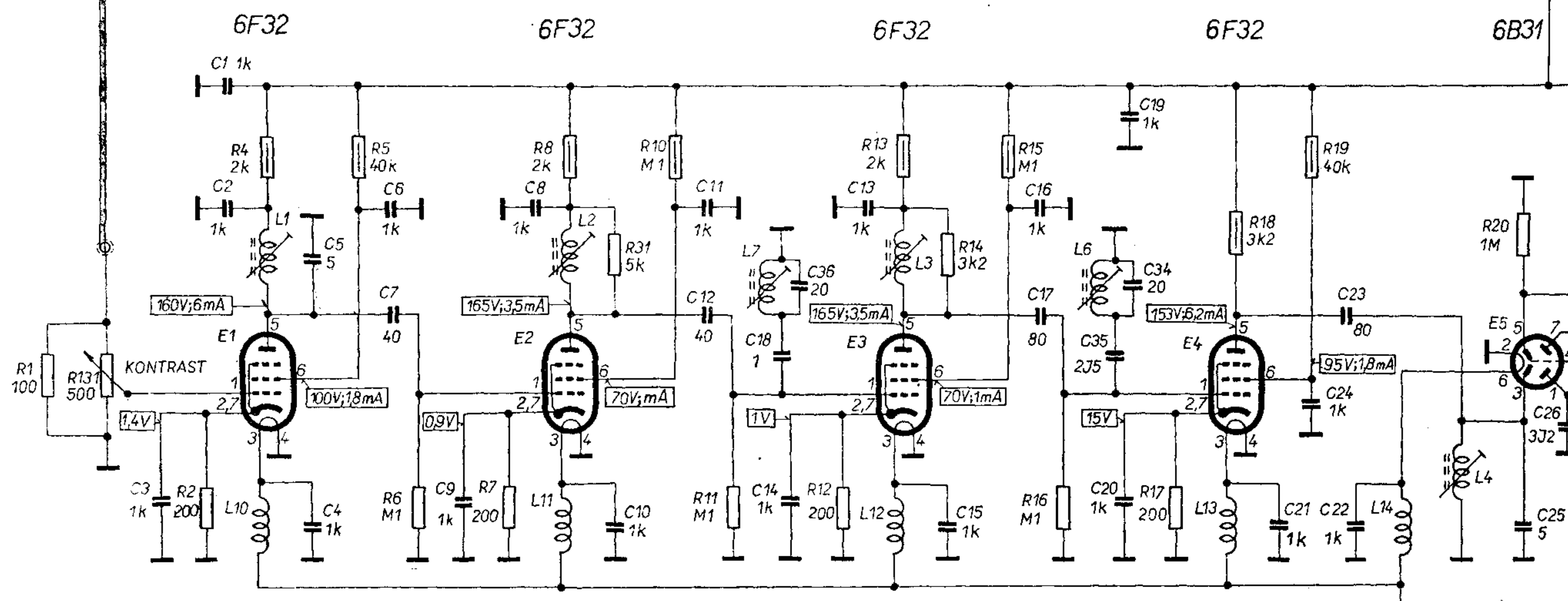


Zapojení televizního přijímače 4002A
PŘÍLOHA XXI.

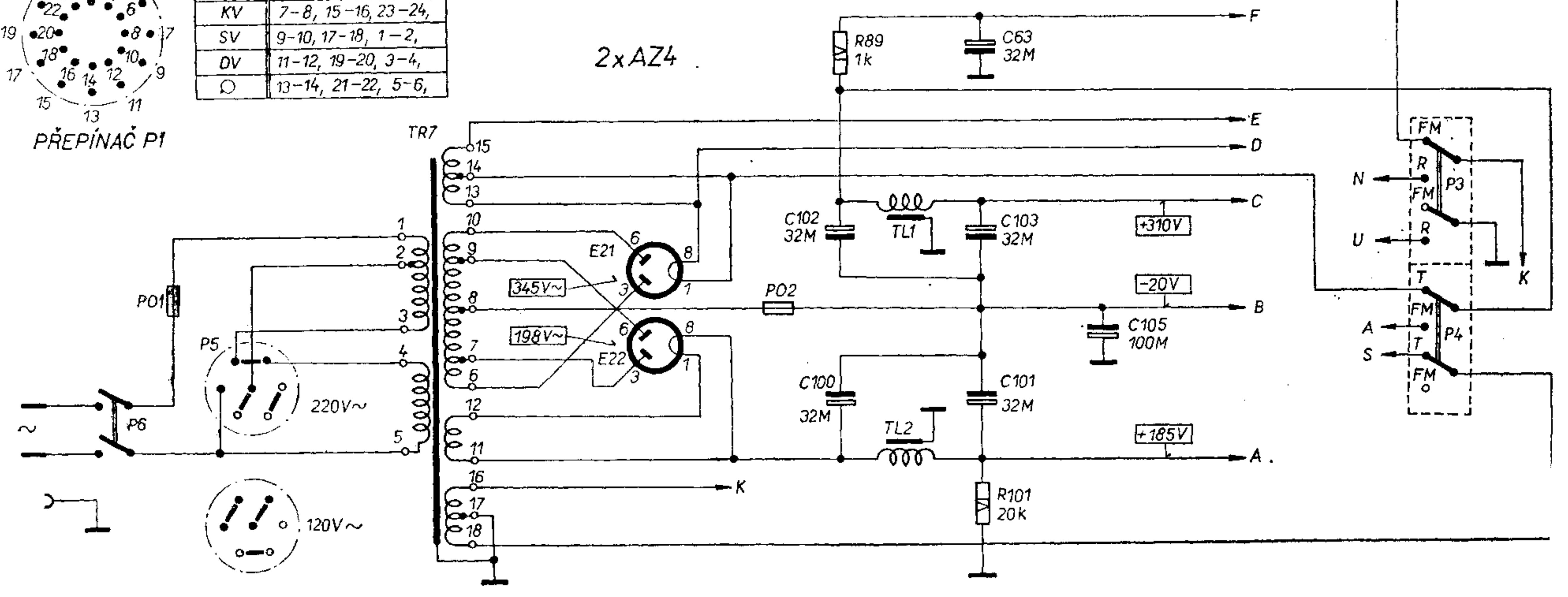
R	3,			117,			110,	122, 111,		125, 116, 123,	115,	118,	124, 119, 120, 121,	112, 114,	113,	
L	131,	2,	4,	5,	6,	7,	8,	31, 10,	11,	12, 89, 13,	14,	101, 15, 16,	17,	18,	19,	20,
C	110, 138,		114, 111, 112, 113,		116, 115,		137,	120,	119, 117,	118, 121, 123, 124,	122, 126, 136,	129, 127,	130, 134, 132, 128,	135, 133, 131,	125,	
L	50,	51, 53, 55, 110, 52, 54, 56,					2, 11,		7,	59, 58, 57, 60, 3, 12,	61, 62, 6,		13,	63, 64,	14,	4,



VF. ČÁST ROZHLASOVÉHO PŘÍJÍMAČE



ROZSAH	SPOJENÉ DOTEKY P1
KV	7-8, 15-16, 23-24,
SV	9-10, 17-18, 1-2,
DV	11-12, 19-20, 3-4,
○	13-14, 21-22, 5-6,



PATICE ELEKTRONI